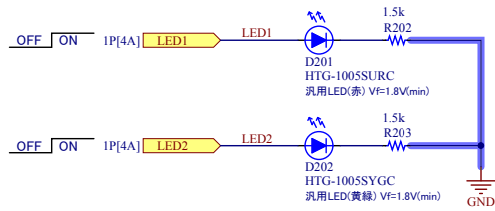
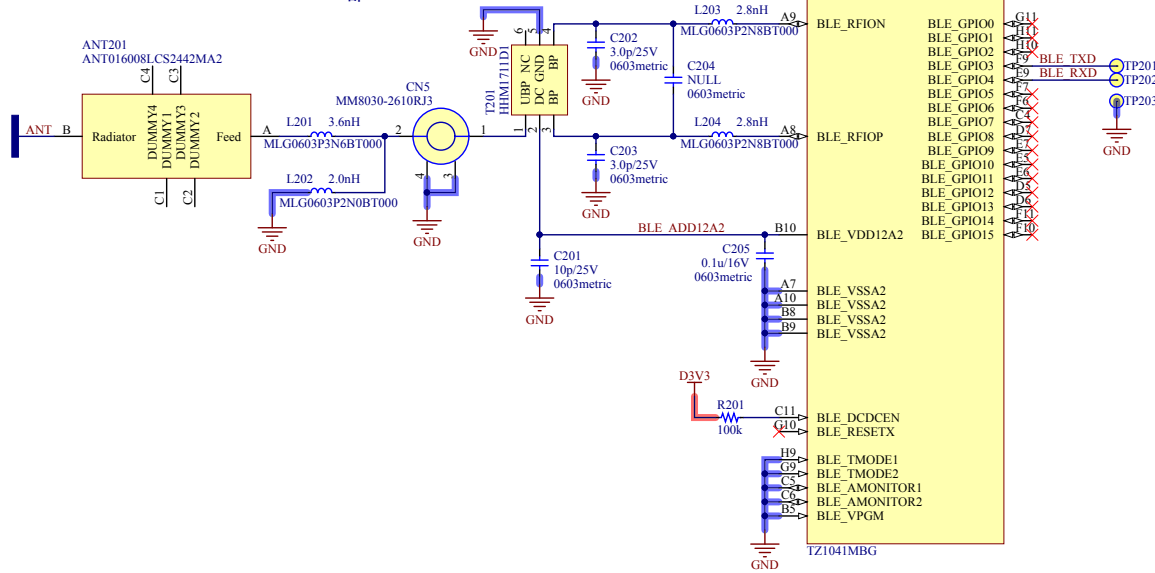
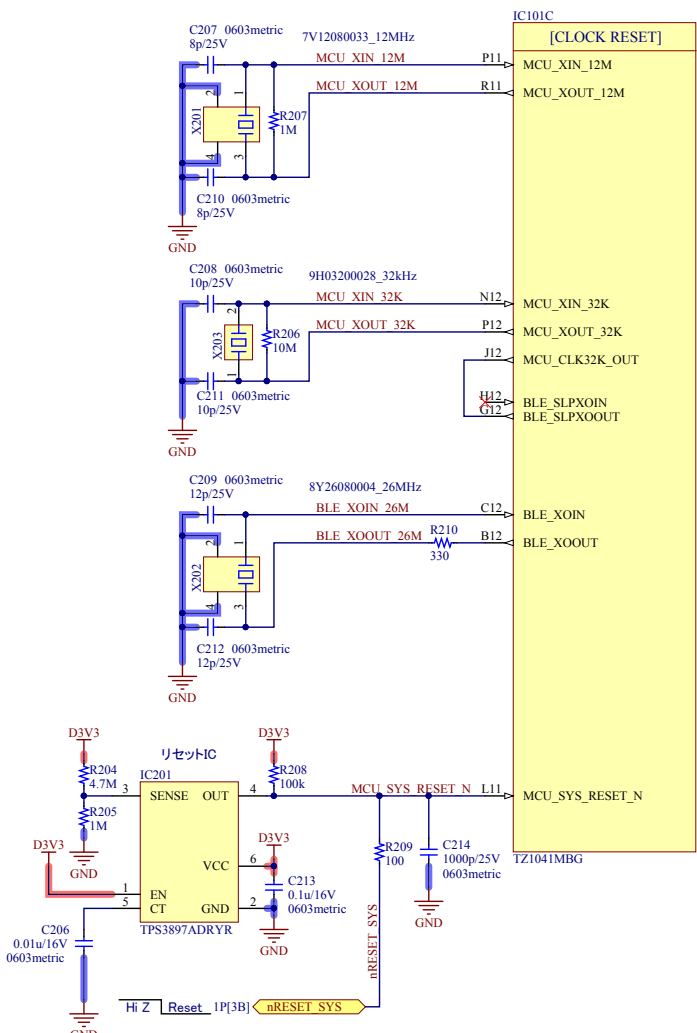
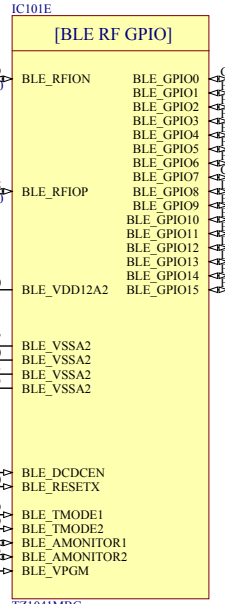


Title		TZ1041MBG module	
Model	CDP-TZ01C	Rev.	D
Comment			
Peripheral & Connector & Debug			
Filename	I503-TZ1-01-D_Peripheral_SchDoc		
Size	Date	2016/05/10	
A3	Design	M.Yano	
	Sheet	1P of 3P	

Bluetooth RF部

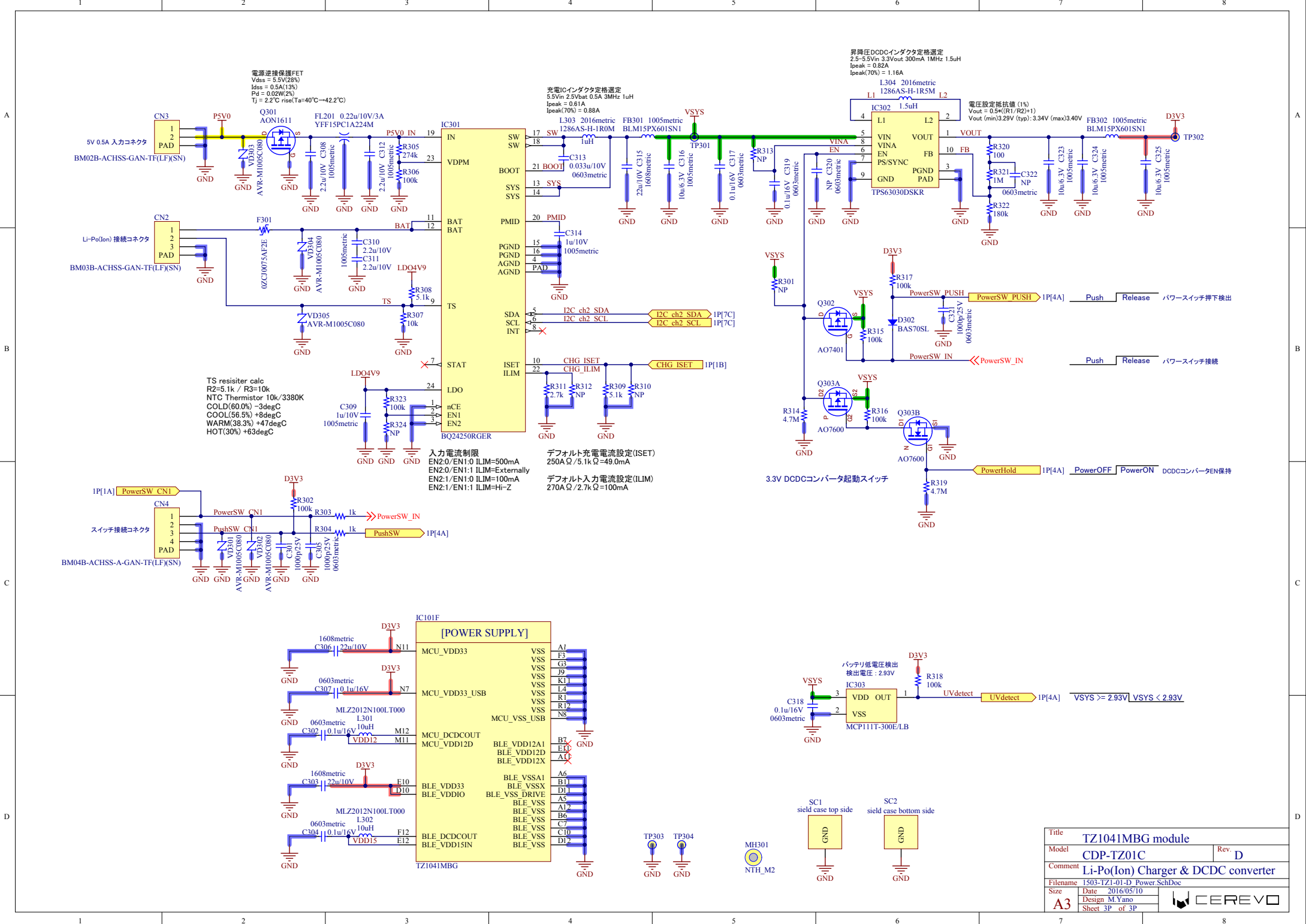


LED resister calc
 $V_f = 1.8V(\text{min})$
 $(3.3V - 1.8V) / 1\text{mA} = 1500\text{ohm}$
 $I = 1\text{mA}$
 $P = I^2 * R = 1.5\text{mW} (3\%)$
 0603metric(max50mW)



リセットIC TI TPS3897ADRYR
 Brown-out Reset Detect Level : typ1.60V max1.65V
 T21001-VDD33 : typ3.3V min2.1V max3.6V
 TPS3897Aリセットレベル: typ0.5V 土1%
 リセット検出電圧設定 $(1+4.7\text{M}\Omega / 1\text{M}\Omega) \times 0.5 = 2.85\text{V}$
 リセット遅延時間設定 $\text{CT} 0.01(\mu\text{F}) \times 4\text{s} = 40\text{ms} (+40\mu\text{s})$

Title		TZ1041MBG module	
Model	CDP-TZ01C	Rev	D
Comment			
Bluetooth RF & Clock & Reset			
Filename			
I503-TZ1-01-D Misc.SchDoc			
Size	A3	Date	2016/05/10
		Design	M.Yano
		Sheet	2P of 3P



Title		TZ1041MBG module	
Model	CDP-TZ01C	Rev	D
Comment			
Li-Po(Ion) Charger & DCDC converter			
Filename	I503-TZ1-01-D_Power_SchDoc		
Size	Date	2016/05/10	
A3	Design	M.Yano	
	Sheet	3P of 3P	